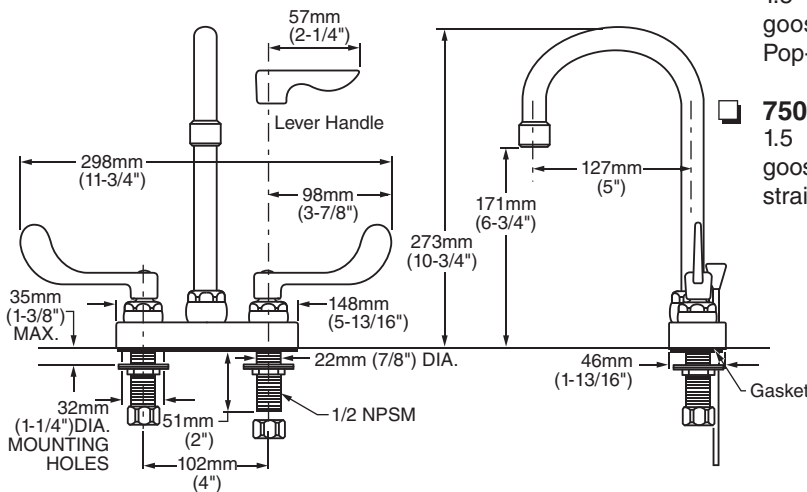




7501.170 Shown

**MODEL NUMBER:\***

- ❑ **7500.170 Centerset Lavatory**  
1.5 gpm Pressure Compensating Aerator. Rigid/swivel gooseneck spout. Vandal-Resistant Wrist Blade handles. Less drain and pop-up hole.
- ❑ **7501.170 Centerset Lavatory**  
1.5 gpm Pressure Compensating Aerator. Rigid/swivel gooseneck spout. Vandal-Resistant Wrist Blade handles. Pop-up drain.
- ❑ **7502.170 Centerset Lavatory**  
1.5 gpm Pressure Compensating Aerator. Rigid/swivel gooseneck spout. Vandal-Resistant Wrist Blade handles. Grid strainer drain.
- ❑ **7500.140 Centerset Lavatory**  
1.5 gpm Pressure Compensating Aerator. Rigid/swivel gooseneck spout. Vandal-Resistant Lever handles. Less drain and pop-up hole.
- ❑ **7501.140 Centerset Lavatory**  
1.5 gpm Pressure Compensating Aerator. Rigid/swivel gooseneck spout. Vandal-Resistant Lever handles. Pop-up drain.
- ❑ **7502.140 Centerset Lavatory**  
1.5 gpm Pressure Compensating Aerator. Rigid/swivel gooseneck spout. Vandal-Resistant Lever handles. Grid strainer drain.



**GENERAL DESCRIPTION:**

Durable cast brass construction. 1/2" male threaded inlet shanks with brass shank nuts and coupling nuts. 1/4 turn ceramic disc valve cartridges. Convertible swivel/rigid spout. Choice of Vandal-Resistant Wrist Blade or Lever handles with blue & red color indexes. All brass drain bodies with 1 1/4" (32mm) tailpieces (on applicable models). 1.5 gpm/5.7L/min. maximum flow rate. Vandal-Resistant and Laminar Flow aerators are available.

**PRODUCT FEATURES:**

- Pressure Compensating Aerator:** Provides a constant water flow of 1.5 gpm throughout the pressure range
- Solid Brass Construction:** Durable - Excellent in high use applications. Ideal for prolonged contact with water.
- Ceramic Disc Valve Cartridge:** Assures a lifetime of drip-free performance.
- Field-Convertible Swivel/Rigid Spout:** Easily adjusted in the field.
- Lead Free:** Faucet contains ≤ 0.25% total lead content by weighted average.

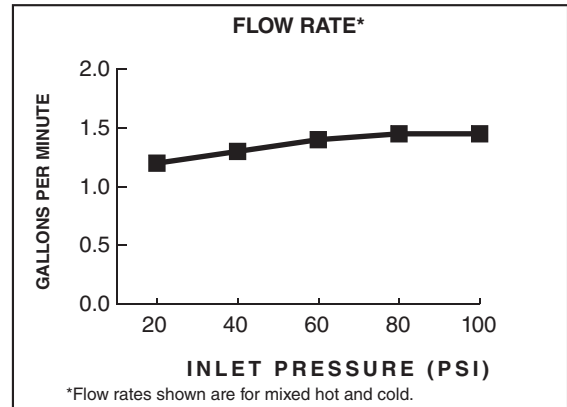
**SUGGESTED SPECIFICATION:**

4" centerset lavatory faucet shall be cast brass construction with all brass shank nuts and coupling nuts. Shall feature water-conserving 1.5 gpm/5.7L/min. pressure compensating aerator. Vandal-Resistant handles. Shall also feature 1/4 turn washerless ceramic disc valve cartridges. Fitting shall be American Standard Model # 750\_.\_.002.

**CODES AND STANDARDS**

These products meet or exceed the following codes and standards:

- ASME A112.18.1**
- CSA B 125**
- NSF 61/Section 9 and Annex G**



Product Number	Description	Finish
		Polished Chrome
		002
7500.170	Centerset Lavatory with rigid/swivel gooseneck spout. 1.5 gpm/5.7L/min pressure compensating aerator. Vandal-Resistant Wrist Blade Handles. Less drain and pop-up hole.	
7501.170	Centerset Lavatory with rigid/swivel gooseneck spout. 1.5 gpm/5.7L/min pressure compensating aerator. Vandal-Resistant Wrist Blade Handles. Pop-up drain.	
7502.170	Centerset Lavatory with rigid/swivel gooseneck spout. 1.5 gpm/5.7L/min pressure compensating aerator. Vandal-Resistant Wrist Blade Handles. Grid strainer drain.	
7500.140	Centerset Lavatory with rigid/swivel gooseneck spout. 1.5 gpm/5.7L/min pressure compensating aerator. Vandal-Resistant Lever Handles. Less drain and pop-up hole.	
7501.140	Centerset Lavatory with rigid/swivel gooseneck spout. 1.5 gpm/5.7L/min pressure compensating aerator. Vandal-Resistant Lever Handles. Pop-up drain.	
7502.140	Centerset Lavatory with rigid/swivel gooseneck spout. 1.5 gpm/5.7L/min pressure compensating aerator. Vandal-Resistant Lever Handles. Grid strainer drain.	

MEETS THE AMERICANS WITH DISABILITIES ACT GUIDELINES AND ANSI A117.1 REQUIREMENTS FOR ACCESSIBLE AND USABLE BUILDING FACILITIES-CHECK LOCAL CODES

**Other Aerators Available:**

Part Suffix	Description
LV22	2.2 gpm (8.3 Lpm) Vandal-Resistant Non-Aerated Laminar Flow Outlet
V22	2.2 gpm (8.3 Lpm) Vandal-Resistant Aerator
A15LV	Anti-Microbial 1.5 gpm (5.7 Lpm) Vandal-Resistant Non-Aerated Laminar Flow Outlet
LV15	1.5 gpm (5.7 Lpm) PCA Vandal-Resistant Non-Aerated Laminar Flow Outlet
V15	.5 gpm (5.7 Lpm) PCA Vandal-Resistant Aerator
LV10	1.0 gpm (3.8 Lpm) PCA Vandal-Resistant Non-Aerated Laminar Flow Outlet
V10	1.0 gpm (3.8 Lpm) PCA Vandal-Resistant Aerator
V05	0.5 gpm (1.9 Lpm) PCA Vandal-Resistant Non-Aerated Spray
V035**	0.35 gpm (1.3 Lpm) PCA Vandal-Resistant Non-Aerated Spray

\*PCA - Pressure Compensating

\*\*Meets Cal Green Code